

PFRF

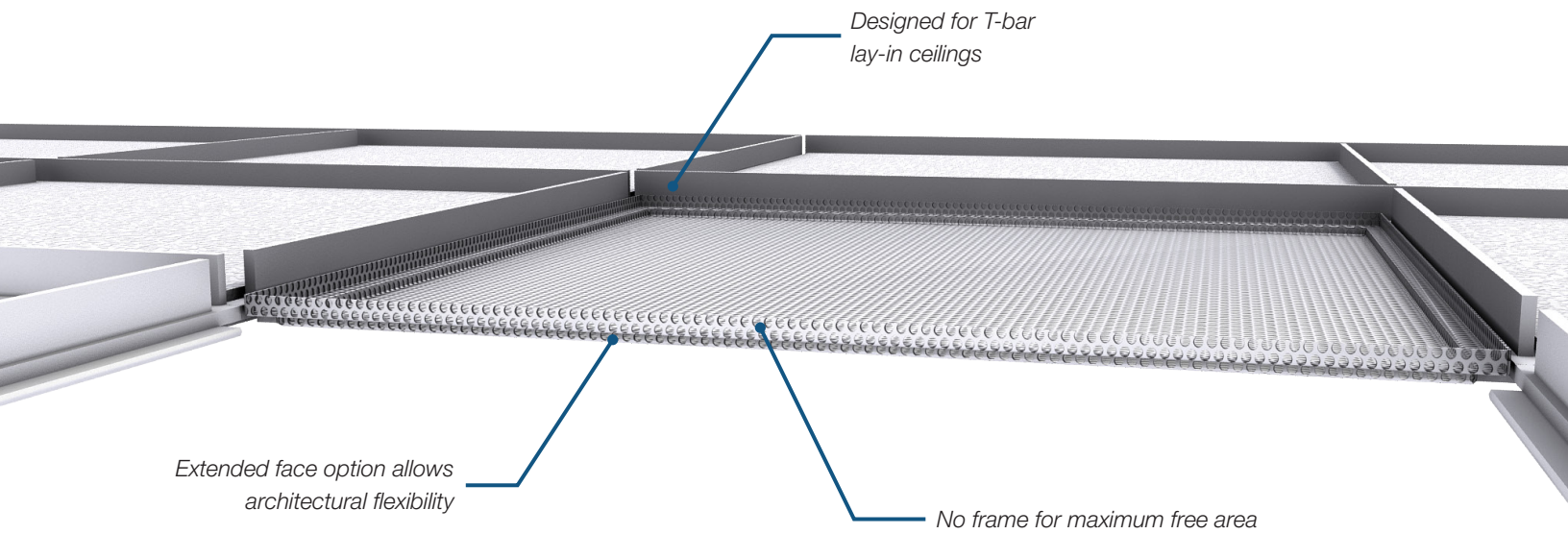
PERFORATED FACE RETURN MODULE



PFRF

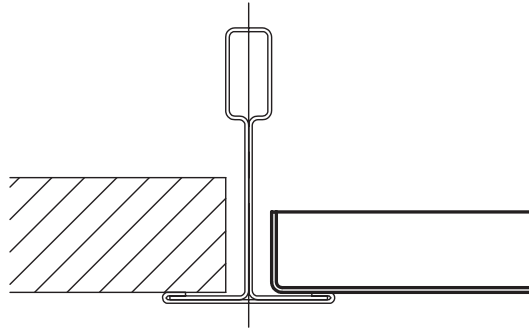
Perforated Face Return Module

The Perforated Face Return Module (PFRF) is an economical, high capacity return outlet. These perforated ceiling panels are used as non-ducted return outlets for T-bar lay-in ceilings. With no frame, free area is maximized to provide low noise and pressure drop.

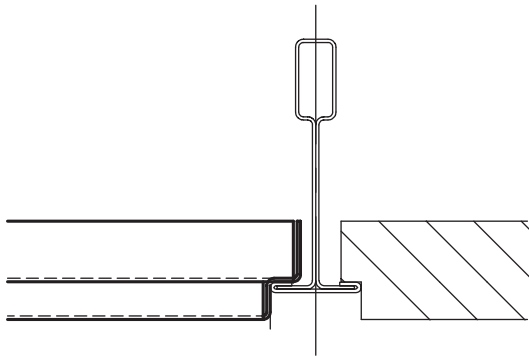


ARCHITECTURAL FLEXIBILITY

An extended face option allows for architectural flexibility, as the panel will sit flush with the ceiling grid when used with tegular ceiling tees, or sit below the ceiling grid when used with flat ceiling tees. This option is compatible with 15/16 in. flat tee and tegular as well as 9/16 in. tegular ceiling tees.



Style 3 - 15/16 in. flat tee



Style 17 - 9/16 in. Tegular

TYPICAL APPLICATIONS

The PFRF perforated face return module is ideally suited to t-bar open ceiling return applications.

CONSTRUCTION

- + Material
 - Steel
 - Aluminum
- + Size
 - 12 in. x 12 in.
 - 20 in. x 20 in.
 - 24 in. x 12 in.
 - 24 in. x 24 in.
 - 48 in. x 24 in.
- + Options
 - Extended face
 - MRI compatible Aluminum Construction

PERFORMANCE DATA

Plenum Return

Module Size	Neck Velocity (fpm)	200	300	400	500	600	700	800	900	1000
	Neg. Static Pressure (in. w.g.)	0.008	0.019	0.033	0.051	0.074	0.101	0.132	0.167	0.206
	Velocity Pressure (in. w.g.)	0.002	0.006	0.01	0.016	0.022	0.031	0.04	0.05	0.062
12 x 12	Flow Rate (cfm)	168	252	336	420	504	588	672	756	840
	Sound (NC)	-	-	-	-	19	23	26	29	32
24 x 12	Flow Rate (cfm)	351	527	703	878	1054	1230	1406	1581	1757
	Sound (NC)	-	-	-	16	20	24	28	31	33
24 x 24	Flow Rate (cfm)	735	1102	1469	1837	2204	2572	2939	3306	3674
	Sound (NC)	-	-	-	17	22	26	29	33	35

Performance Notes:

1. Tested in accordance with ASHRAE Standard 70-2006 "Method of Testing for Rating the Performance of Air Outlets and Inlets."
2. Air flow is in cfm.
3. All pressures are in in. w.g.
4. NC values are based on room absorption of 10 dB re 10⁻¹² Watts and one diffuser.
5. Blanks "-" indicate and NC level below 15.



Product Improvement is a continuing endeavour at Price. Therefore, specifications are subject to change without notice. Consult your Price Sales Representative for current specifications or more detailed information. Not all products may be available in all geographic areas. All goods described in this document are warranted as described in the Limited Warranty shown at priceindustries.com. The complete Price product catalog can be viewed online at priceindustries.com.